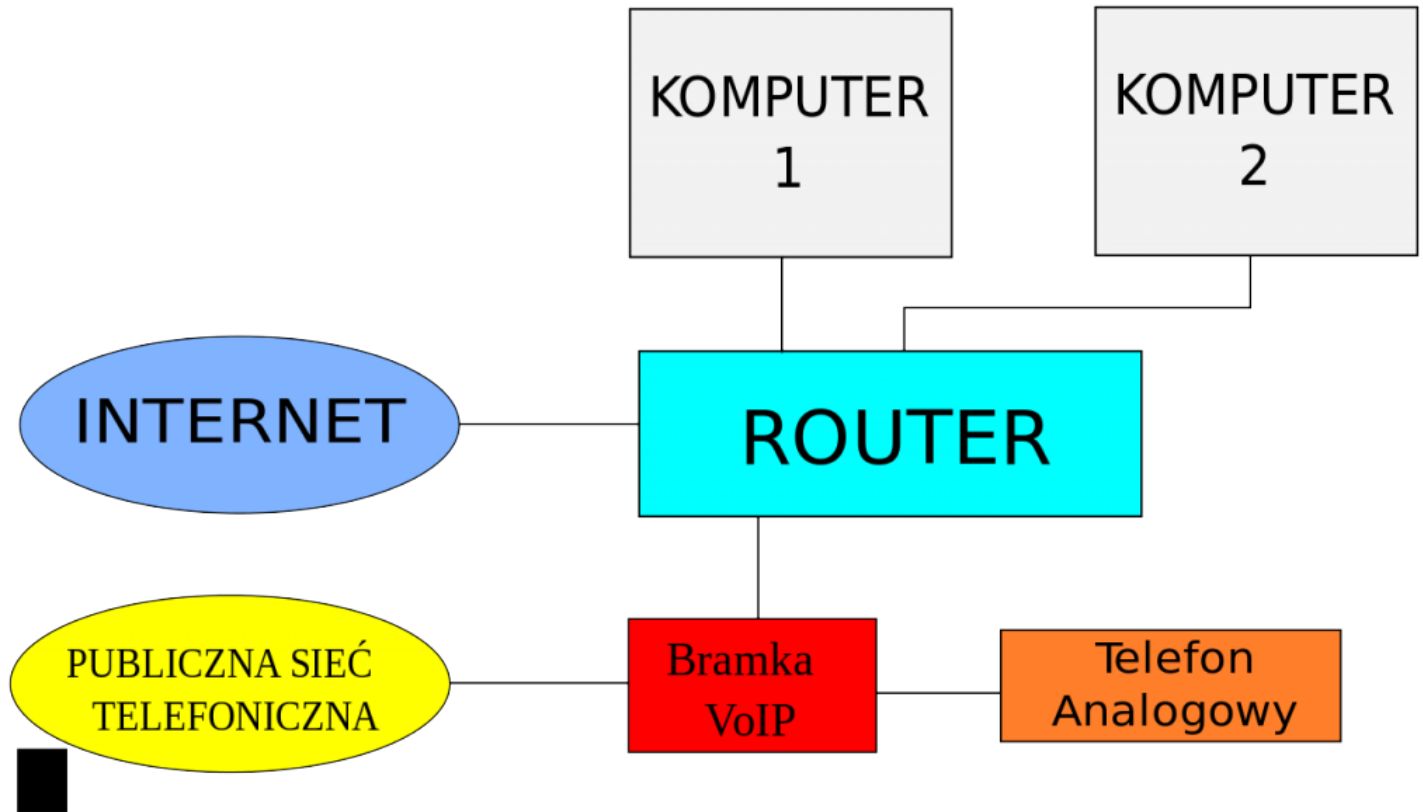


What is VoIP and how it helps in smashing the rates of long distance calls.

Nitin Atmaram Sisode Robotics Coaching for kids



Mumbai, Feb 7, 2020 (Issuewire.com) - VoIP is the most up to date progression in sound correspondences innovation, and has a wide range of uses that make it helpful. VoIP represents Voice over Internet Protocol, and how VoIP works is quite progressive since it streamlines the way toward imparting simple sound signs by changing over them to a lot simpler to send computerized structure for communication.

To see how VoIP functions, you'll have to comprehend the fundamental idea behind standard simple sound correspondence also, because this is the antecedent for VoIP. Simple calls are really made by means of fiber optic systems by the way of digitizing our voice interchanges for imparting the sign across a huge number of miles, however once it finds a good pace goal (an office or a home telephone, for case), the sign is by and by changed over to simple.

All through the calls the switches are open even when there is no air and discussion is not occurring; the track is additionally open in the two headings in any event, when just one gathering is speaking and another is tuning in. This isn't horribly productive, and hinders the correspondence of data

significantly.

Bundle exchanging propogates VoIP

VoIP chips away at an alternate reason - as opposed to circuit exchanging, information bundle exchanging sends and gets data just when one requires it rather than in a steady stream. It additionally sends the data bundles alongside any open passages are accessible as opposed to a devoted line which is significantly more proficient. The data is basically recovered at the source.

The load of every parcel has a goal implied into it deciding the extreme goal. At the point when the PC at the opposite end gets these bundles, it will reconvene the data into useable structure. This type of sending sound information is amazingly productive in light of the fact that it generally takes the least expensive course that is additionally the least clogged.

The pressure of data and utilization of numerous courses so as to direct that data along the maximum productive course makes sending sound over bundle exchanging speedier, substantially less costly and increasingly proficient. The quantity of calls that can be sent is requests of size higher than it was with the more conventional simple circuit exchanging frameworks.

For organizations, the reserve funds in long separation charges can be in the hundreds or indeed, even a huge number of dollars every year. On the off chance that organizations likewise make broad gathering calls, VoIP bodes well when joined with conferencing choices such as archive partaking in frameworks offered by organizations like Voxwire and iVocalize.

Techie Nitin Atmaram Sisode is based out of Mumbai. He has done electronics engineering. After successfully conducting Robotics and electronics coaching classes at Nashik, he is planning for summer 2020 workshops in Robotics and electronics projects at Thane and Andheri Mumbai for high school kids of standard 6 to 9. He has fifteen years of hands on experience in this field as a software engineer. The purpose of this pilot press release is to make parents aware of importance of Robotics and electronics and its coaching for the high school children. In coming days the venues, timings and contact details will be published through various channels.

Media Contact

Nitin Atmaram Sisode

sisodiamanu11@gmail.com

Source : Nitin Atmaram Sisode Robotics Coaching

[See on IssueWire](#)