

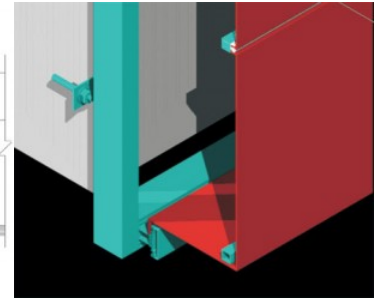
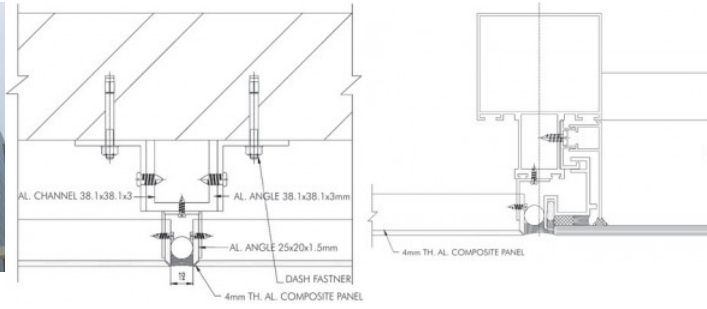
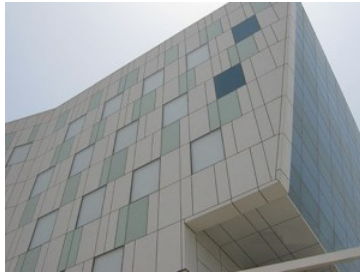
ReynoArch Aluminum Composite Panels from Reynobond India !

Aluminium composite material is made of Low Density Polyethylene. The Polyethylene core is laminated between two high-strength coil-coated aluminium sheets.



Rajasthan, Jaipur, May 10, 2021 (IssueWire.com) - Polyvinylidene Fluoride (PVDF) is a high-performance fluoropolymer architectural coil coating system from the PPG industry. ACM sheets can be easily fabricated (i.e. cut, bent, curved, drilled, grooved, punched, and shaped) using common wood and metalworking tools to suit specific design requirements.

Aluminium composite material is one of the most thoroughly tested and recognized materials in the building industry. The surface finish coatings retain colour consistency and the ability to perform in aggressive environments consisting of urban grime, acid rain, and salt spray. ACM sheets can be easily cleaned with water and a sponge or a soft bristle brush and a mild detergent solution, which will restore the panel to its original appearance. Preserving our worldwide environment from the effects of contamination is imperative. Most quality ACM sheets such as REYNOBOND & REYNOARCH are composed of recyclable materials and are environmentally friendly.



Media Contact

Alstone Industries

purchase@alstoneindia.in

07042296757

Plot No. 420, Village Keshwana, Ricco Rd, Tehsil Kotputli, Distt.

Source : Alstone Industries

[See on IssueWire](#)